

SmATX-H81

Intel® 4th Generation Core™ CPU, H81,
Micro ATX with CRT/DVI/COM/PCIE/PCI



Features

- Intel® 4th Generation Core™ CPU
- Two 240-pins DIMMs up to 16GB DDR3 1600MHz SDRAM.
- Supports PCIe x16, PCIe x1, PCI, and 4 SATA ports.
- Two COM ports and LPT Legacy interface support.
- Support standard ATX power supply by 24 and 4 pins.
- Triple display interfaces: VGA, DVI, PCIe x16
- Onboard USB3.0 support

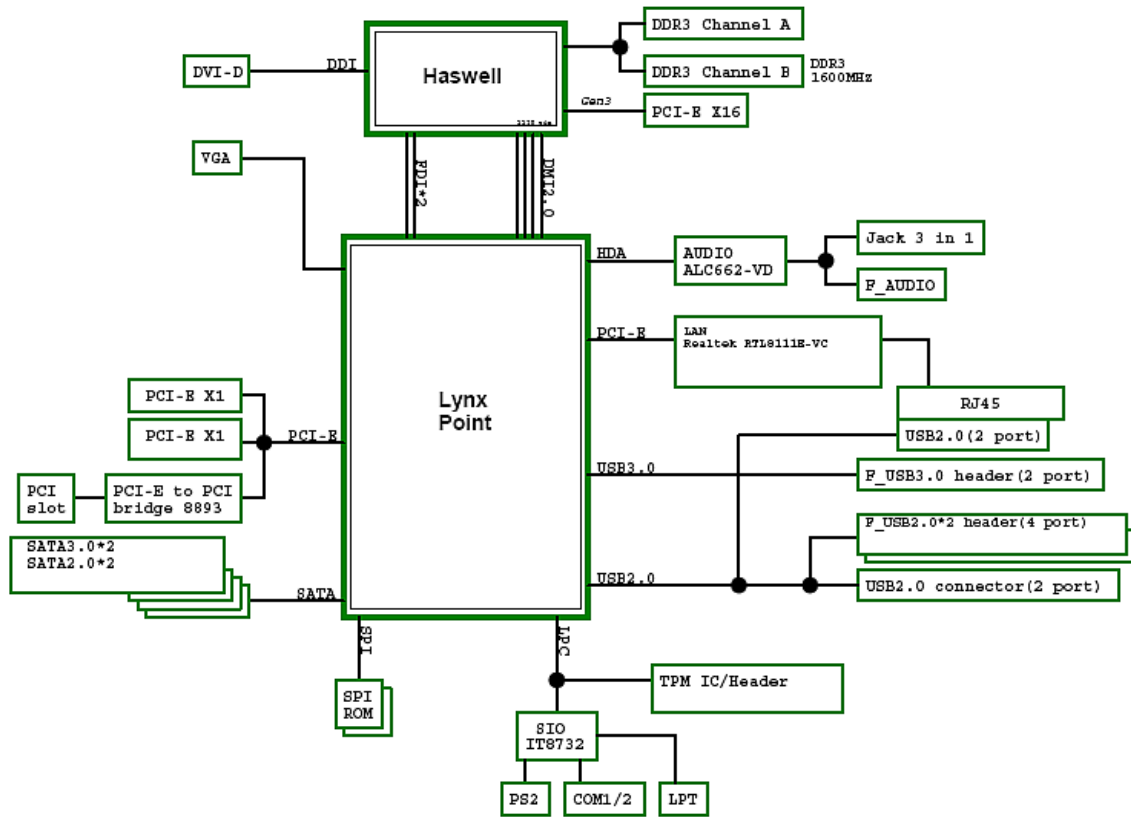
Software APIs:



Specifications

Processor System	CPU	Intel® 4th Generation Core™ CPU	
	Max. Speed	By CPU	
	L2 Cache	By CPU	
	Chipset	H81	
	BIOS	AMI 64Mbit SPI	
Expansion Slot	PCI	32-bit/33 MHz, 1 slot	
	PCIe x 1	500 MB/s per direction, 2 slots	
	PCIe x 16	16 GB/s per direction, 1 slot	
Memory	Technology	Single channel DDR3 1600MHz SDRAM	
	Max. Capacity	16GB	
	Socket	1 x 240pin DIMM	
Graphics	Controller	Intel HD Graphics	
	VGA	Support up to SXGA 1920 x 1440 @ 60MHz	
	DVI	Support up to SXGA 1920 x 1200 @ 60MHz	
	Dual Display	VGA+DVI	
Ethernet	Interface	10/100/1000 Mbps	
	Controller	GbE LAN: Realtek RTL8111E-VC	
	connector	RJ-45 x 1	
SATA	Max Data Transfer Rate	600MB/s (SATA3.0) / 300MB/s (SATA2.0)	
	Channel	2/2	
Rear I/O	CRT	1	
	DVI	1	
	Ethernet	1	
	USB	4 (USB2.0 compliant)	
	Audio	3 (Line-In, Line-Out, Mic-In)	
	Serial	1 x RS232	
	PS/2	2 (1 x keyboard and 1 x mouse)	
Internal Connector	LPT	1	
	USB	2 (USB3.0 compliant) / 4 (USB2.0 compliant)	
	Serial	1 (RS-232)	
	SATA	2 (SATA-III compliant) / 2 (SATA-II compliant)	
	DIO	2-bit GPIO	
Watchdog Timer	Output	System reset	
	Interval	Programmable 1-255 sec/min	
Power	Power type	Standard ATX power	
	Power input	1 x Internal 20 pins (20+4) power connector , 1 x internal 4-pin (2x2) for VRM power connector	
Environment		Operation	Non-Operation
	Temperature	0 ~ 60° C (32 ~ 122° F)	-40 ~ 85° C (-40 ~ 185° F)
Physical Characteristics	Dimensions	244mm x 229mm (9.6" x 9")	

Block Diagram



Packing list

Description	Quantity
I/O Shield	1
Startup Manual	1 (per 20units)

I/O View

