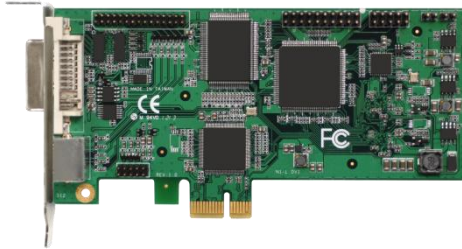


Hardware Specification	
Model	VDB512N1-L DVI
Max. Input Resolution	1920x1080p @60/50fps
Recording Mode	Software Compression, Real-Time Mode
Product Photo	
Dimension	135.00 x 68.92(mm)
Interface	PCIe x1 (Gen 2)
Video Input	1 x DVI-I, 1 x YPbPr, 1 x S-Video, 1 x Composite
Video Output	1 x DVI-I, 1 x YPbPr, 1 x S-Video, 1 x Composite (Loop-Through; Optional)
Video RAW Data Format	YUY2
Video RAW Data Resolution	1920x1200@60Hz 1920x1080p @60/50fps 1920x1080p @30/25/24fps 1920x1080i @60/50fps 1280x720p @60/50fps 1600x1200p @60fps 1280x1024p @60fps 1280x960p @60fps 1024x768p @60fps 800x600p @60fps 640x480p @60fps 720x480p @60fps 720x576p @50fps 720x480i @60fps 720x576i @50fps
Recording Video Format	H.264 (Software Compression)
Recording Video Resolution	1920x1200@60Hz 1920x1080p @60/50fps 1920x1080p @30/25/24fps 1920x1080i @60/50fps 1280x720p @60/50fps 1600x1200p @60fps 1280x1024p @60fps 1280x960p @60fps 1024x768p @60fps 800x600p @60fps 640x480p @60fps 720x480p @60fps 720x576p @50fps 720x480i @60fps 720x576i @50fps
Audio Input	2 x RCA (Audio L/R through component cable)
Audio Output	2 x RCA (Audio L/R through component cable) (Loop-through; Optional)
Audio Format	Stereo / 16-bit / 32000 ~ 48000Hz
I/O	16
WatchDog	✓
Multiple Cards	∞
SDK	VC++ / .NET / VB

System Requirement

OS Support

Windows XP / Vista / Windows 7 or Higher
(32-bit and 64-bit)

VDB512N1-L DVI Connection Diagram

