

SBOX-2602

11th Gen Intel® Core™ i7-1185G7E CPU with 2x LAN/ 2x HDMI 2.0b/ 1x DVI-D/ 2x COM/ DC 12V Fanless Box PC

Features

- 11th Gen Intel® Core™ Processor i7-1185G7E
- Triple Display Output (2 x HDMI / DVI-D)
- 2 x M.2 Slots for Wi-Fi / WWAN / GPS Expansion
- Wide Range Operating Temperature -30~60°C
- 2 x RS-232 / 422 / 485
- 4 x DI / 4 x DO (5V/100mA)

Introduction

The SBOX-2602 is powered by 11th Gen Intel® Core™ i7-1185G7E with supporting triple display output (2 x HDMI / DVI-D); it delivers high-performance computing and real-time capabilities for critical Industrial IoT deployment. The SBOX-2602 is equipped with the newest Intel® Iris® Xe Graphics, making it a perfect solution for Factory Automation, Service Robots (AMR/AGV), Cellular V2X, Smart Retail, and any AIoT / Industry 4.0 applications. The key features can tackle all outdoor digital applications and extreme weather conditions. In addition, the ultra slim height (50 mm) makes it ideally suited for digital signage or kiosks where the space is limited.

Specifications

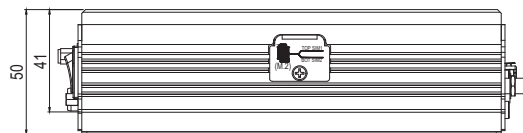
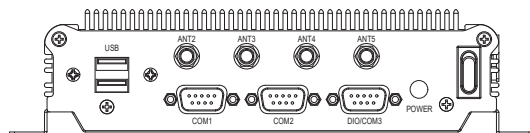
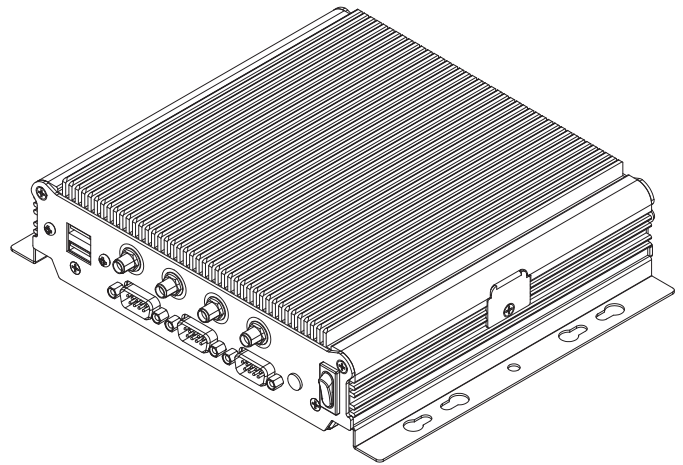
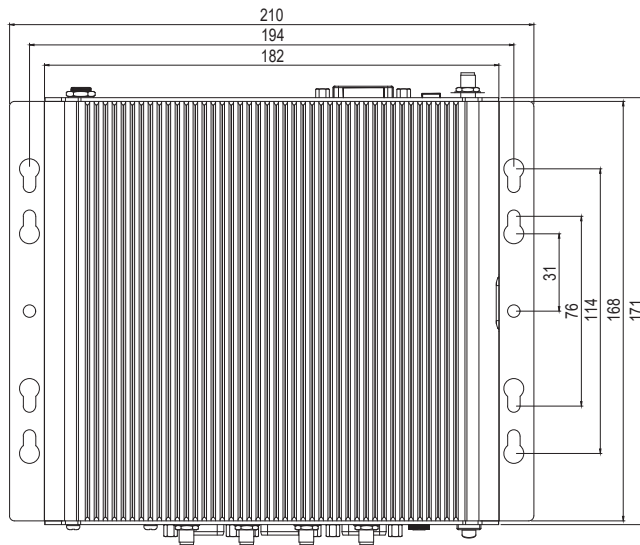
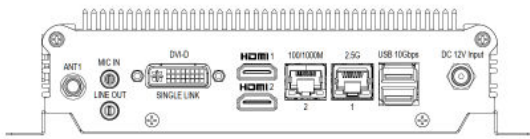
System	
CPU	11th Gen Intel® Core™ i7-1185G7E up to 2.8 GHz*
	11th Gen Intel® Core™ i5-1145G7E up to 2.6 GHz*
	11th Gen Intel® Core™ i3-1115G4E up to 3.0 GHz*
	Intel® Celeron® 6305E 1.8 GHz *CPU TPD is configured at 15W as default setting.
Memory	1 x DDR4 SO-DIMM up to 32 GB
Graphics	Intel® Iris® Xe Graphics (for Core™ i7 / i5 / i3) Intel® UHD Graphics (for Celeron® 6305E only)
LAN	1 x Intel® 2.5GbE supports vPro for i5 & i7 SKU 1 x Intel® GbE
Watchdog	1 ~ 255 Level Reset
TPM	2.0
I/O	
Serial Port	2 x RS-232/422/485 (Optional 3rd Serial Port)
USB Port	2 x USB 2.0 and 2 x USB 3.2 Gen 2
LAN	2 x RJ-45 Ports (1 x 2.5GbE, 1 x GbE)
Video Port	2 x HDMI / 1 x DVI-D *Single-Link cable only
GPIO Port	4 x DI and 4 x DO (5V/100mA)
Audio	1 x MIC-IN / 1 x LINE-OUT
Expansion Bus	1 x M.2 3042/52 Key B for 5G/LTE Modem w/ 2 x SIM Card Sockets
	1 x M.2 2230 Key E for Wi-Fi + Bluetooth Module
Antenna	5 x Pre-cut Holes for SMA External Antenna

Software	
Operating System	Windows 10 IoT 2021 LTSC 64-bit,
Environmental	
Operating Temp.	-30 ~ 60°C, ambient w/ 0.6m/s airflow
Storage Temp.	-40 ~ 85°C
Relative Humidity	10% RH – 90% RH (non-condensing)
Power Input	DC 12V Input with DC-Jack
Storage	
Type	1 x SATA Connector for 2.5" SATA HDD/SSD
	1 x M.2 2280 Key M Slot (supports NVMe or SATA SSD)
Qualification	
Certifications	CE, FCC Class A
Mechanical	
Construction	Aluminum Alloy
Mounting	Wall-mount (Optional VESA and Din Rail Mounting Kit)
Weight	1600g
Dimensions	210 (L) x 171 (W) x 50(H) mm (Wall Mount Bracket Included)

All specifications are subject to change without notice.

Dimensions

Unit : mm



Ordering Information

Part Number	SBOX-2602-i7, SBOX-2602-i5, SBOX-2602-i3, SBOX-2601-C1
Description	11th Gen Intel® Core™ Processors i7-1185G7E CPU w/ 2x LAN/ 2x HDMI 2.0b/ 1x DVI-D/ 2x COM/ DC 12V/Fanless Box PC
State of Origin	Made in Taiwan

Optional Accessories

DRAM	DDR4 SO-DIMM 3200, 8GB~32GB (-40~85°C)
SATA SSD	M.2 2280 Key B+M SATA SSD TLC 64GB~1TB (-40~85°C)
NVMe SSD	M.2 2280 Key M NVMe TLC 256GB~1TB (-40~85°C)
Wi-Fi / Bluetooth	M.2 2230 Key A+E Module
5G / LTE	M.2 3042/3052 Key B Module
Mounting kit	DIN Rail / VESA Kit

All specifications are subject to change without notice.