
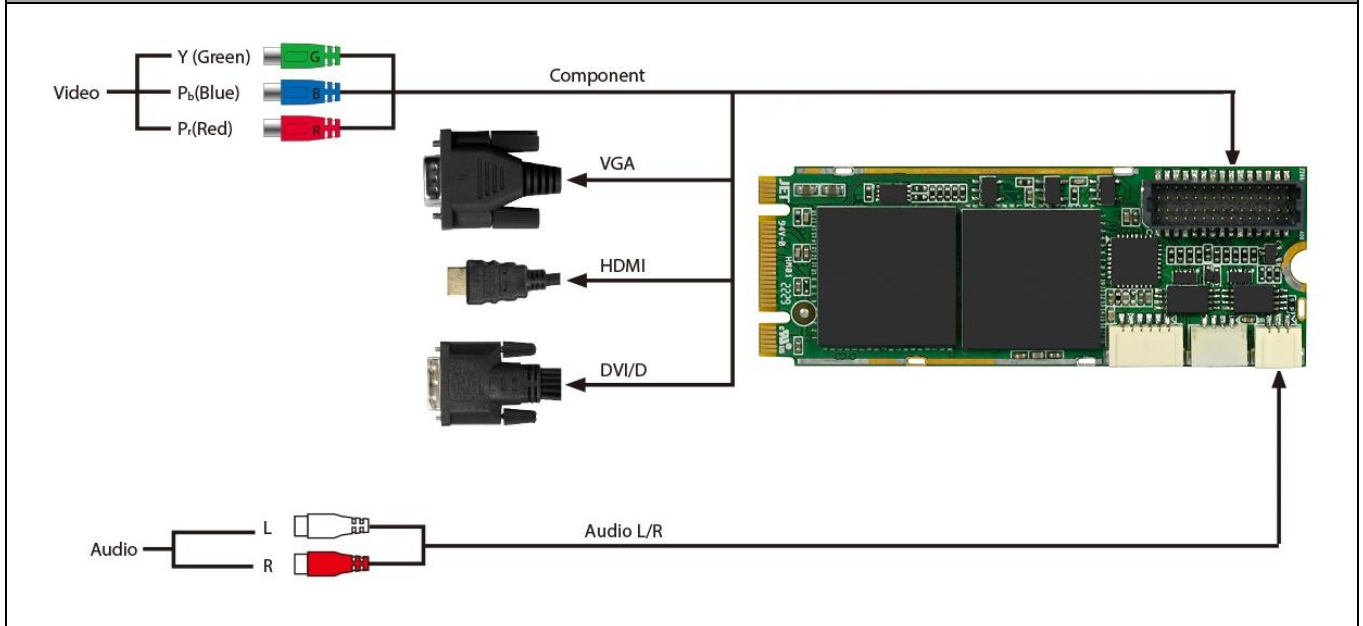


SC400 Series Hardware Specification	
Model	VDB-400N1 M2 HDV
Max. FPS	1920x1200p@60/50fps in → 1920x1200p@60/50fps out
Recording Mode	Software Compression, Real-Time Mode
Product photo	
Dimension	22x60 (mm) M.2 Type B/M
Interface	M.2 (PCIe x1)
Video Input	1xDVI-I, 1xYPbPr, 1xHDMI
Display Video Format	YV12, NV12, YUY2, RGB24, RGB32, P010
Video RAW Data Resolution	1920x1200p@60/50fps 1920x1080p@60/50fps 1920x1080p@30/25/24fps 1920x1080i@60/50fps 1280x720p@60/50fps 1280x1024p@60fps 1280x960p@60fps 1024x768p@60fps 800x600p@60fps 640x480p@60fps 720x480p@60fps 720x576p@50fps 720x480i@60fps 720x576i@50fps
Recording Video Format	H.264 (Software Compression)
Recording Video Resolution	1920x1200p@60/50fps 1920x1080p@60/50fps 1920x1080p@30/25/24fps

	1920x1080i@60/50fps 1280x720p@60/50fps 1280x1024p@60fps 1280x960p@60fps 1024x768p@60fps 800x600p@60fps 640x480p@60fps 720x480p@60fps 720x576p@50fps 720x480i@60fps 720x576i@50fps
Audio Input	1xHDMI Embedded Audio Audio L/R (Through Wafer Connector)
Audio Format	Stereo / 16-bit / 32000 ~ 48000Hz
Multiple Cards	∞
SDK	Support API : DirectShow, V4L2, FFmpeg, Gstreamer Support Language : C++, C#, .NET, Visual Basic, Qt, Delphi
System Requirement	
OS Support	Windows 7 / Windows 8 / Windows 8.1 / Windows 10 / Windows 11 Linux 4.8 or Higher (32-bit and 64-bit)

Connection Diagram



All specifications are subject to change without notice.